

Mini Circuit Breaker Lockouts S2390-S2391-S2392-S2393

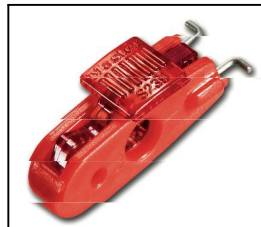
Circuit Breaker Lockout locks safely and effectively electrical power and prevents employees from accidental energizing.

- ✓ In compliance with OSHA standard 1910.147 relative to Lockout-Tagout
- ✓ Made from rough non-conductive plastic
- ✓ Mini Circuit Breaker locks all European circuit breaker (see compatibility chart)
- ✓ Easy to use and quick to apply.
- ✓ All mini circuit breaker lockouts work with all Safety Series padlocks and lockout hasps



S2390

fits breaker with toggle openings 11mm or less



S2391

fits breakers with toggle openings over 11mm



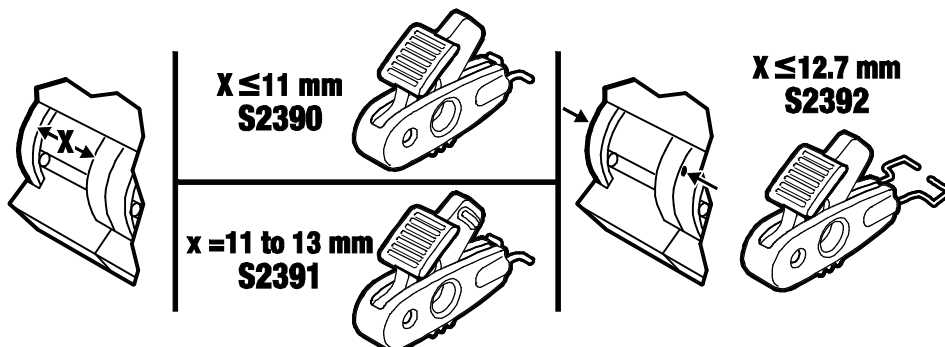
S2392

fits breaker with pin-in toggles



S2393

fits all circuit breaker. Applied to the toggle by tightening the screw



Breaker Compatibility Chart		
Brand	Model No.	Master Lock Reference
ABB	S222	S2390
ABB	F374	S2390
ABB	S251, S261, S263	S2390
ABB	S272, S253	S2390
ABB	S253	S2390
AEG	E82S	S2392
Allen Bradley	1492-CB1, 2, 3	S2390
Buschmat	S46	S2390
Clipsal	4CB116	S2390
Clipsal	4CB320	S2390
E-T-A	911220G	S2390
FAZ	C16	S2390
FAZ	C16	S2390
GE Vynckier	Serie G	S2392
GE Vynckier	Serie E	S2392
GE Vynckier	Serie G	S2392
GE Vynckier	Serie E	S2392
GE Vynckier 16A	Serie E	S2392
GE Vynckier C16, 16A	Serie E	S2392
Hager	453717	S2390
Hager	MW216A	S2390
Hager	MW620A	S2390
Kapp	LS68	S2392
Legrand	1935	493B
Legrand	1980	493B
Legrand	1908	S2390
Legrand	C80A	493B / S2391
Legrand	4302	S2392
Legrand	6469	S2392
Legrand	1935	S2393
Merlin Gerin	B100A	493B / S2391
Merlin Gerin	C60N	S2390
Merlin Gerin	C32N	S2390
Merlin Gerin	C60N	S2390
Merlin Gerin	C60N	S2390
Merlin Gerin	C32N	S2390
Merlin Gerin	C45AD	S2390
Merlin Gerin	C16	S2390
Merlin Gerin	C80A	S2391
Merlin Gerin	C80A	S2393
Proteus	C60N	493B
Proteus	C60N	493B
Siemens 17U	5SQ12	493B
Siemens 17U	5SQ13	493B
Siemens 17U	5SQ16	493B
Siemens 17U	5SQ11	S2391
Siemens C10	5SX1	S2391
Siemens C32	5SX1-2	493B
Siemens C70	5SX13	493B
Siemens L20A	5SN2-2	493B
Sursum	EA53	S2392
Wylex	WRS40/2	S2390